




DIN 22.5mm

Features :

- Cyclic Timer with Unequal ON & OFF Time
- 6 Time Ranges
- Universal Supply Voltage
- LED Indications : Power ON, Relay ON
- Finger Safe Terminals

Certification : 

Display Specifications

LED Indications Power ON, Relay ON

Input Specifications

Accuracy Setting : $\pm 5\%$ of F.S.
Repeat : $\pm 0.5\%$ or 50msec (F.S. = Full Scale)

Output Specifications

Relay Contact 2 C/O DPDT
Contact Rating 5A @ 250V AC / 24V DC, resistive

Functional Specifications

Modes Cyclic ON first or OFF first
Time Ranges 0 - 1sec / min / hr (ON Time)
0 - 10sec / min / hr (ON Time)
0 - 1sec / min / hr (OFF Time)
0 - 10sec / min / hr (OFF Time)
Resolution 0.1sec
Reset On power interruption
Reset time < 100msec

Auxiliary Supply Specifications

Supply Voltage 20 to 240V AC (50 / 60Hz)
12 to 240V DC
Power Consumption 2VA max

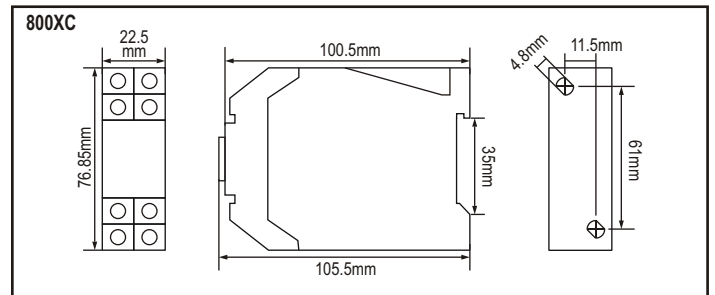
Environmental Specifications

Temperature Operating : 0 to 50°C (32 to 122°F)
Storage : -20 to 75°C (-4 to 167°F)
Humidity (non - condensing) 95% RH

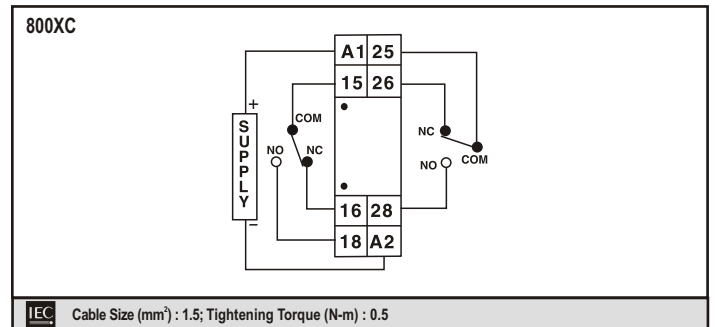
Environmental Specifications

Mounting DIN Rail Mount
Weight 110gms

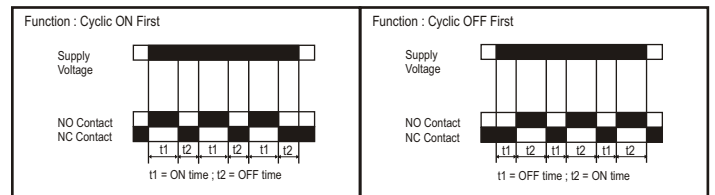
Dimensions



Terminal Connections



Timing Diagrams



Compliance

Applicable EMI / EMC Standards		
Product Standard		
Category	Reference Standards	Testing Level
Electrostatic Discharge	IEC 61000-4-2	Level-3
Electrical Fast Transient / Burst	IEC 61000-4-4	Level-3
Electromagnetic Field	IEC 61000-4-3	Level-3
Surge	IEC 61000-4-5	Level-3
Conducted RF	IEC 61000-4-6	Level-2
Rated Power Frequency	IEC 61000-4-8	Level-4
Voltage Dip / Short Interruptions	IEC 61000-4-11	Level-3
Conducted Emissions	CISPR-11	Class-B
Rated Emissions	CISPR-22	Class-A
Emission & Immunity	IEC 61326-1	
Safety	IEC 61010-1	
PFMF (Passing criteria)	IEC 61000-4-8	Class A

Ordering Information

Product Code	Supply Voltage	Certification
800XC	20 to 240V AC 12 to 240V DC	---
800XC-CE	20 to 240V AC 12 to 240V DC	CE